



**WU LUEN KNITTING CO., LTD.**

No. 859, Sec. 3, Zhangshui Rd., Pi-Tou,  
Changhua, Taiwan 523, R.O.C.

**T** +886 4 892 7377

**F** +886 4 892 4578

**E** [export@wu-luen.com.tw](mailto:export@wu-luen.com.tw)

Web:[www.wu-luen.com.tw](http://www.wu-luen.com.tw)

FB:<https://www.facebook.com/wuluenknitting/>

# WU LUEN KNITTING CO., LTD.

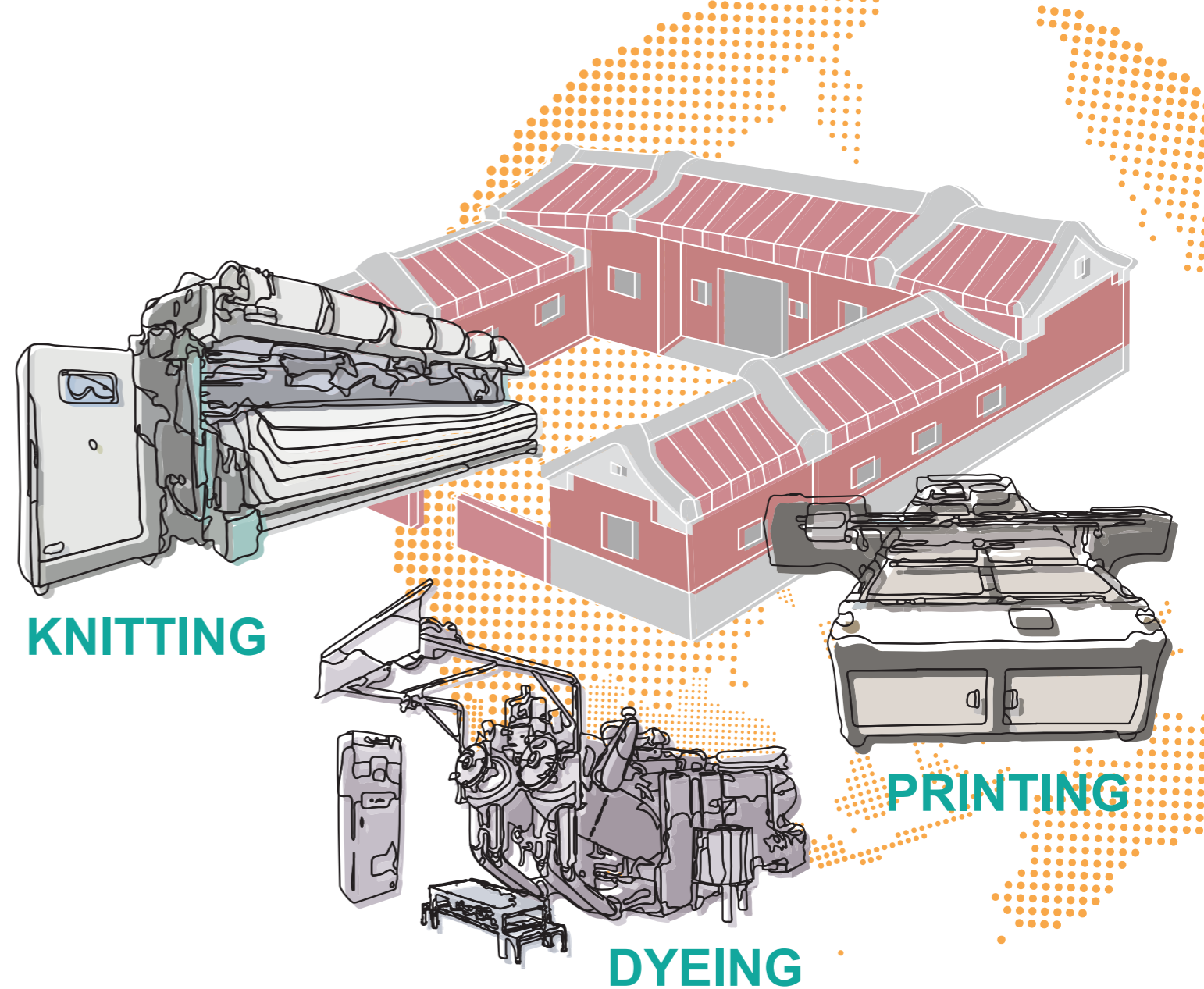




## ABOUT US

Wu Luen Knitting Co. Ltd. is a professional and integrated knitting, dyeing and printing factory, established in 1985, producing tricot, spandex fabrics and special finished goods. The main products are fabrics for garments, swimming wear, underwear, biking wears, sportswear, shoes, industrial fabrics, hats and bags. We use advanced precision machinery, and our department of product development is dedicated to providing new and unique products; moreover, the company has maintained its high quality image for 30 years due to the specialized and strict quality control.

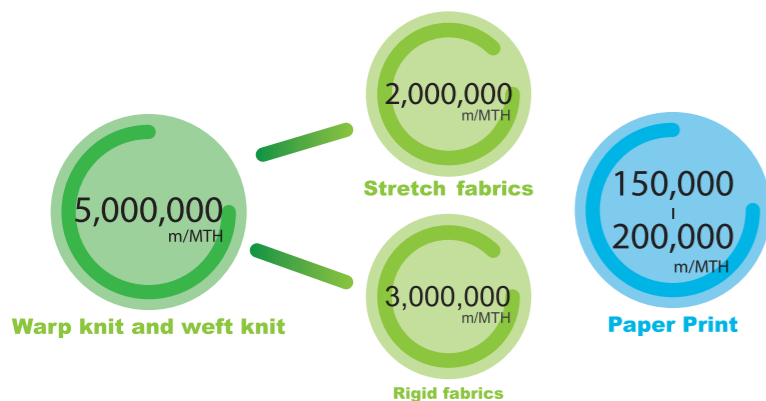
Our mission at Wu Luen Knitting Company is to become one of the essential solution providers to sportswear, swimwear and intimate apparel brands by manufacturing relevant high-quality and innovative performance fabrics at competitive prices. We will accomplish this by building enduring relationships with key upstream value chain partners and making appropriate investments in equipment and people. We are resolved to meet these needs responsibly, in the communities in which we operate and are committed to continually reduce our impact on the environment and to encourage our partners and suppliers to work with us to enhance sustainability.



## STRENGTHS OF R&D AND PRODUCTION

- ◆ Low MOQ
- ◆ Short Leadtime

### CAPABILITIES



### EQUIPMENTS

- Weft Knit Machines**  
(SJ 24-36, DJ 19-32 gauge), some with patterning capability
- Raschel**  
★ 2-5 bars  
electronic patterning capability  
double needle-bar for 3-D fabrics
- Tricot**  
28/32/36/40 gauge

### PRODUCTS

